

## POK-06-ALZN Circular 76mm

Steel washer with special form for roofing applications, for use with all types of roofing screws.



### Product information

#### Features and benefits

- Round washer made of zinc plated sheet. Its sculpted shape allows for trouble-free installation using a dedicated rigid mounting screws for hard roof insulation.

#### Applications

- Systems of mechanically fastened flexible roof waterproofing membrane

#### Base materials

##### Approved for use in:

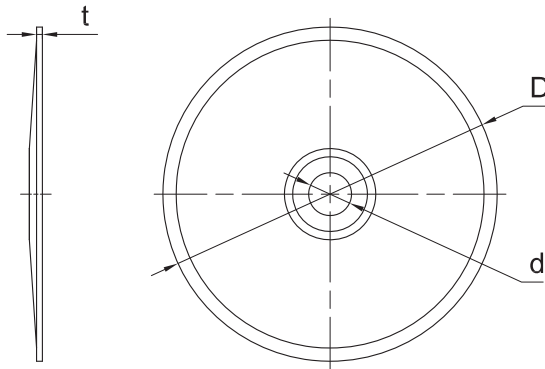
- Metal Sheet & Profiles
- Timber
- Chipboard
- Plywood
- Concrete
- Concrete Slab

### Installation guide



1. Position POK washer on insulation and insert: WCS,WW screw
2. Using drilling machine, drive the screw into substrate until fixing depth is reached

### Product information



Product Code	Aluminum washer		
	Hole diameter	Plate diameter	Thickness
	d	D	t
	[mm]	[mm]	[mm]
R-POK-06-ALZN	6.5	76	0.7

### Product commercial data

Product Code	Aluminum washer		Quantity [pcs]			Weight [kg]			Bar Codes
	Hole diameter [mm]	Plate diameter [mm]	Box	Outer	Pallet	Box	Outer	Pallet	
R-POK-06-ALZN	6.5	76	100	1200	48000	2.8	33.0	1350.0	5906675431994